

# ioSafe® 3.5 Pilot Disaster Proof Hard Drive



## ioSafe 3.5 Pilot: Product Highlights

- Patented FloSafe air cooled technology
- Patented HydroGuard waterproof barrier
- Proprietary DataCast endothermic insulation
- Patent pending MirrorGuard reflective heatenclosure
- Fire resistant to 1400°F, 15 minutes per ASTM E119
- Water resistant: Full Immersion
- 3.5" Hard Drive Standard Form Factor
- Operates at maximum 140°F
- Compatible with servers, desktops, storage arrays or external hard drive kits utilizing SATA
- Up to 320 GB capacity
- After Fire - User Recoverable : reduces Recovery Time Objective (RTO)
- \$2,500 Data Extraction Guarantee and free replacement unit with recovered data.
- Requires no daily user interaction or additional software.
- SATA I, 5400 rpm drive technology
- Compatible with Windows, Linux and Macintosh
- Weight: 1.5 lbs

Email [sales@iosafe.com](mailto:sales@iosafe.com) or go to [www.iosafe.com](http://www.iosafe.com)

ALL SPECIFICATIONS SUBJECT TO CHANGE WITHOUT NOTICE

  
**ioSafe**®  
disaster proof hardware



# ioSafe 3.5: Pilot

## Product Specifications

### Operational Details:

1. Capacity: Up to 320 GB
2. Rotational speed: 5400 RPM
3. Buffer size: 8 MB
4. Average latency: 5.50 ms
5. Read seek time: 12.0 ms
6. Track-to-track seek time: 2.0 ms (average)

### Disaster & Security Specifications:

1. Fire protection – 1400°F, 15 minutes per ASTM E119
2. Flood / full water submersion, 5' depth, 24 hours
3. Proven Data Protection and Recovery
4. Certified Independent Test Facility
5. User recoverable data after fire

### Electrical:

1. Electrical – 5V DC input
2. Typical Power Consumption: ~ 3.5W
3. SATA I and II interfaces

### Support:

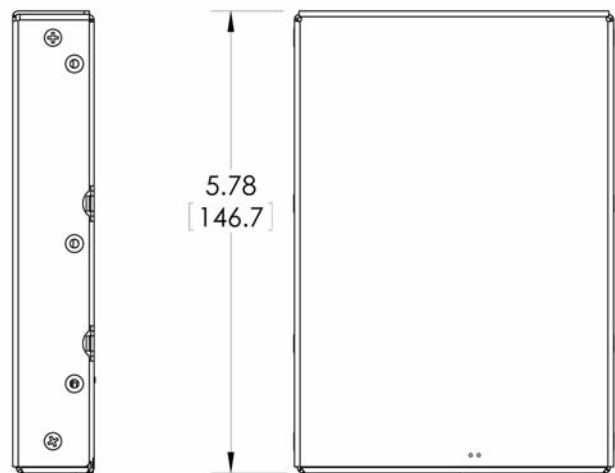
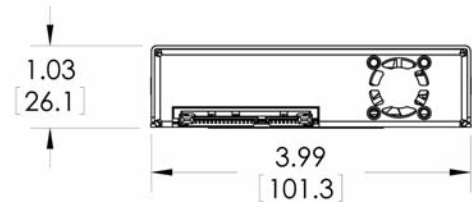
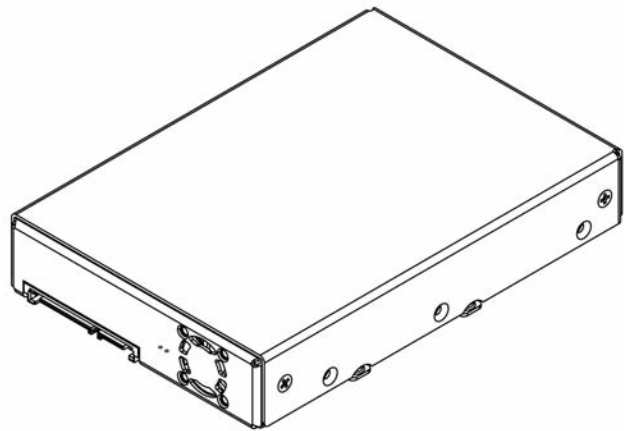
1. 12/7/365 product support access
2. 24/7/365 Disaster Recovery Service available upon product registration at no additional cost. Should disaster strike, ioSafe will assist in the recovery of data and will pay up to \$2,500 to a third-party recovery service if required. See plan for details
3. Three year warranty

### Operating Environmental:

1. Operating: 5 to 140° F
2. Non-operating: -10 to 1400°F (15 minutes)
3. Operating Humidity: 8% - 90% (noncondensing)
4. Non-operating Humidity: 100%, Full water immersion.

### Physical:

1. Size: 4.0"W x 1.0"H x 5.8"L
2. Standard 3.5" Form Factor
3. Weight: 1.5 lbs



ALL SPECIFICATIONS SUBJECT TO CHANGE WITHOUT NOTICE

[www.iosafe.com](http://www.iosafe.com)